

DO NOT CLIMB POLE!!!

240V 1Ø AL. TRIPLEX
SECONDARY (BY AVEC)

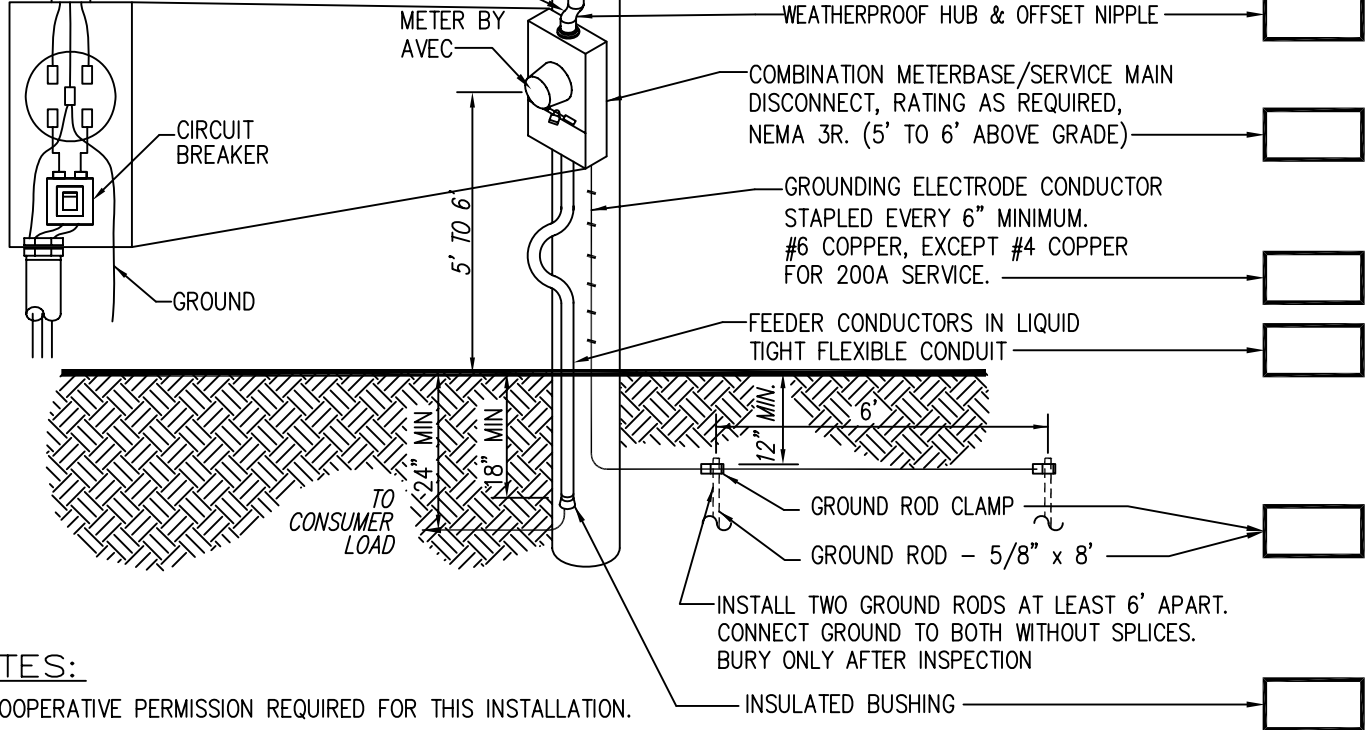
CHECK
WHEN
COMPLETE

DETERMINE REQUIRED LENGTH OF
RISER BY FOLLOWING INSTRUCTIONS
ON DRAWING LABELED,
"DETERMINATION OF SERVICE RISER
LENGTH".

INSTALL PIPE STRAPS EVERY 4' AND
WITHIN 12" OF WEATHERHEAD AND
METERBASE.

CUSTOMER TO SUPPLY 7 PIPE STRAPS AND
MOUNTING HARDWARE
AS AN ALTERNATE TO OFFSET NIPPLE
AND CONDUIT STRAPS SEE NOTE 2
CUSTOMER TO INSTALL OFFSET
NIPPLE AND ALL ITEMS BELOW IT

SUPPLY AND ASSEMBLE, BUT DO NOT INSTALL, A 2" IMC RISER WITH A WEATHERHEAD, AND CONDUCTORS. CONDUCTORS IN RISER SHALL BE RATED 600V AND HAVE XHHW OR XHHW-2 INSULATION. TWO CONDUCTORS SHALL HAVE BLACK INSULATION AND ONE SHALL HAVE WHITE INSULATION FOR THE NEUTRAL. CONDUCTOR SHALL BE A MINIMUM #2 COPPER FOR A SERVICE ENTRANCE RATED 100 OR 125 AMPS; AND A MINIMUM OF 2/0 COPPER FOR A SERVICE ENTRANCE RATED 200 AMPS. SERVICES LARGER THAN 200 AMPS SHALL NOT BE INSTALLED ON AN AVEC POLE. A MINIMUM OF 24" TAILS ARE REQUIRED TO EXTEND OUT OF THE WEATHERHEAD. AVEC PERSONNEL WILL INSTALL THE PRE-ASSEMBLED AND PRE-WIRED RISER ON AVEC'S POLE.



NOTES:

1. COOPERATIVE PERMISSION REQUIRED FOR THIS INSTALLATION.
2. AS A LESS PREFERRED ALTERNATIVE TO THE USE OF AN OFFSET NIPPLE AND CONDUIT STRAPS, STANDOFF BRACKETS ARE ACCEPTABLE. EACH STANDOFF BRACKET REQUIRES THE FOLLOWING ITEMS:
 - (1) STANDOFF BRACKET (LLR #LR85DB, WGS #WA85DB)
 - (1) 2" CONDUIT CLAMP (KDF #C-105-2)
 - (4) 1/2" x 4" LAG SCREWS

ALASKA VILLAGE ELECTRIC CO-OP
DISTRIBUTION ASSEMBLY GUIDE DRAWING

DATE 3-29-06
REV. 7

CONSUMER METER INSTALLATION
ON AVEC UTILITY POLE

APPLICATION 200AMP OR LESS	DWG. R. MONAHAN ENGR. W.A.S.	ACCT. NO.	SPEC. NO.	CAD# 92-15A	SHT 1 OF 1
-------------------------------	---------------------------------	-----------	-----------	----------------	---------------